

BD0 7) PAGE 4 & 6

CPT1.7) PAGE 4

PAGE 3

PAGE 2

PAGE 3

PAGE 2

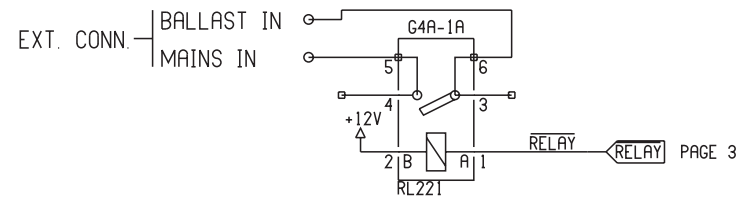
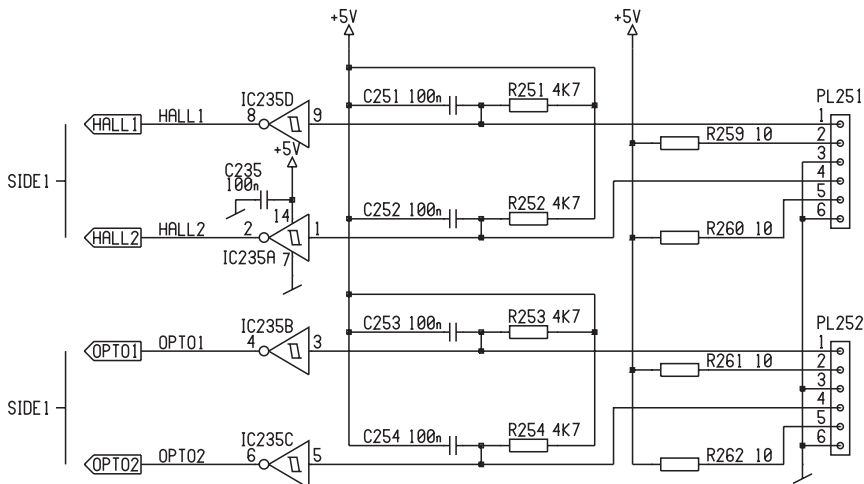
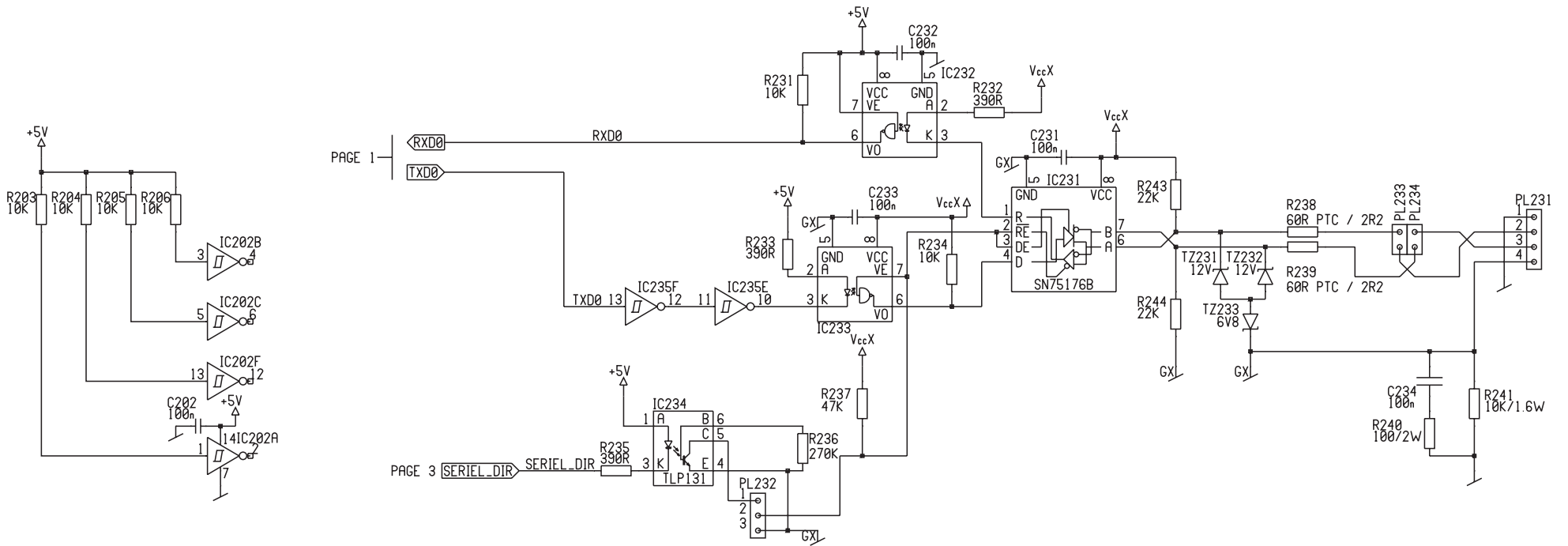
PAGE 3

PAGE 2

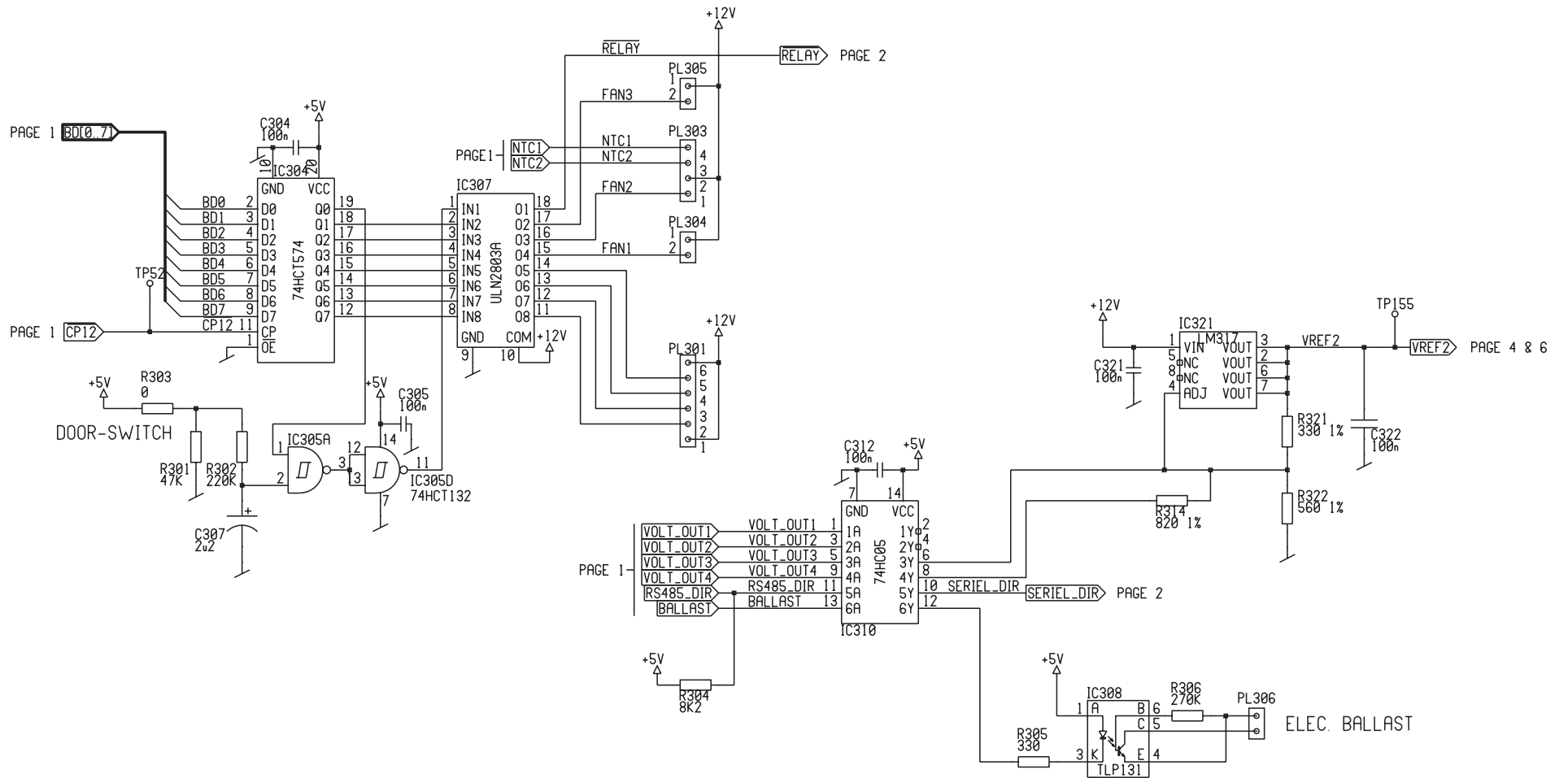
PAGE 2

LIGHT SENSE 1 - 2

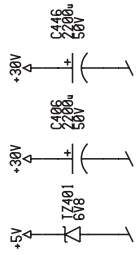
PRODUCT		ENG.	
EXTERIOR 600 COMPACT MAINBOARD		Martin Professional A/S	
NAME		REVISION B0	PAGE 1 OF 5
62000060.SCH / 01001508.PCB		DRAWN BY BH	
		DATE 13/04/00	TIME 15:56



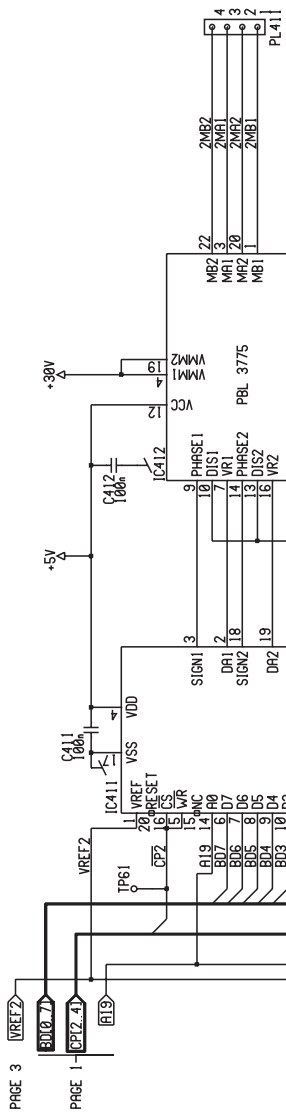
PRODUCT		ENG.	
EXTERIOR 600 COMPACT MAINBOARD		Martin Professional A/S	
NAME		REVISION B0	PAGE 2 OF 5
62000060.SCH / 01001508.PCB		DRAWN BY BH	
		DATE 13/04/00	TIME 15:56



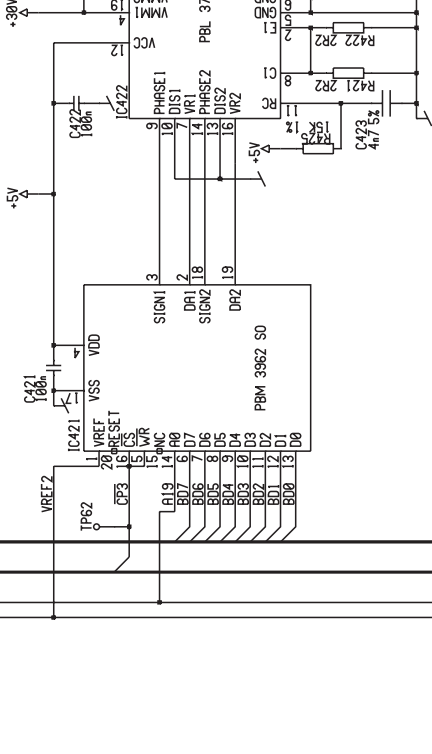
PRODUCT		ENG.	
EXTERIOR 600 COMPACT MAINBOARD		Martin Professional A/S	
NAME		REVISION	PAGE
62000060.SCH / 01001508.PCB		B0	3 OF 5
		DRAWN BY	
		DATE	TIME
		13/04/00	15:56



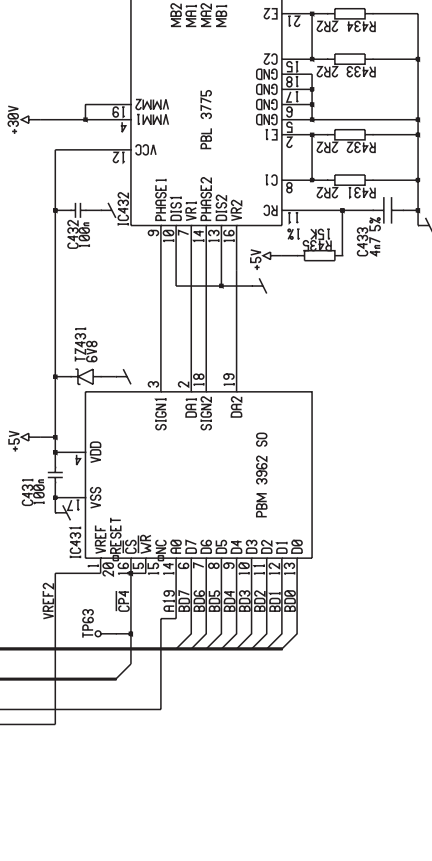
PAGE 3



CYAN



MAGENTA



YELLOW

PRODUCT

EXTERIOR 600 COMPACT
MAINBOARD

ENG.

Martin Professional A/S

REVISION B0

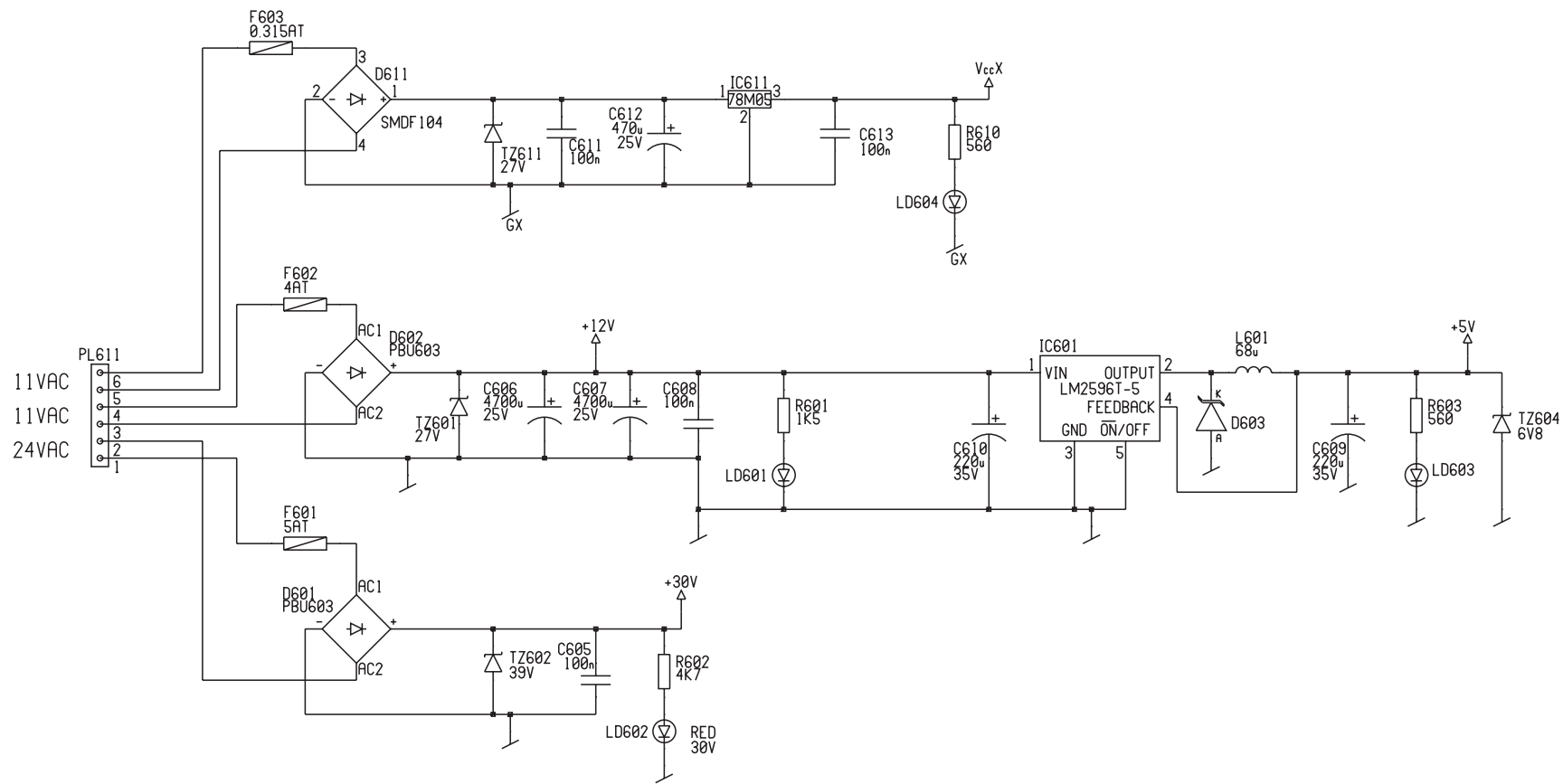
PAGE 4 OF 5

DRAWN BY BH

DATE 13/04/00

TIME 15:57

NAME
6200060.SCH / 01001508.PCB



PRODUCT		ENG.	
EXTERIOR 600 COMPACT MAINBOARD		Martin Professional A/S	
NAME		REVISION B0	PAGE 5 OF 5
62000060.SCH / 01001508.PCB		DRAWN BY BH	
		DATE 13/04/00	TIME 15:57